



R&D Program for Linear Collider :

“ATF2 – Magnet”

Proposition of a new support design

ATF 2 Meeting - LAPP

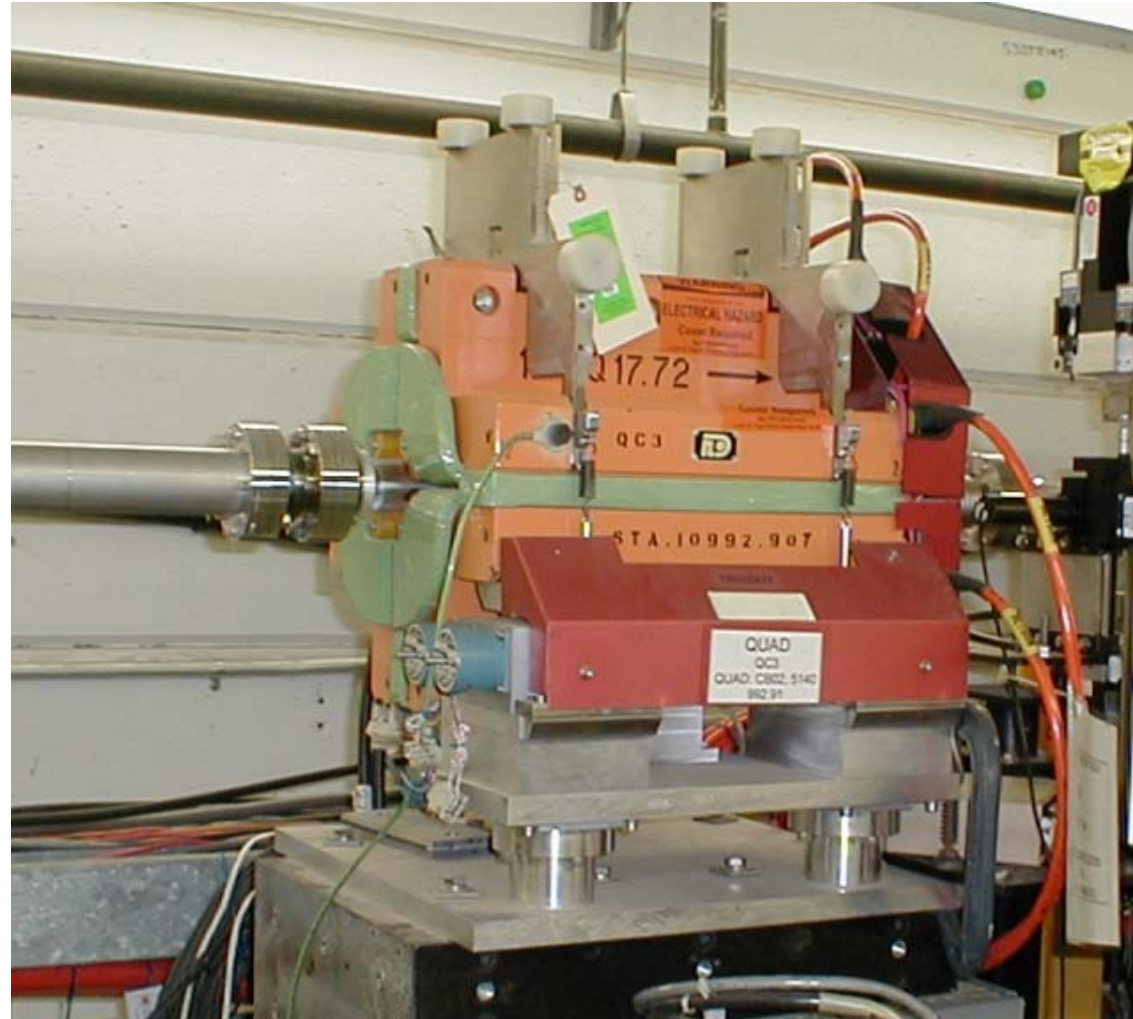
ATF2 Meeting – LAPP – October 2006

Candidate for the Final Doublet Quad.

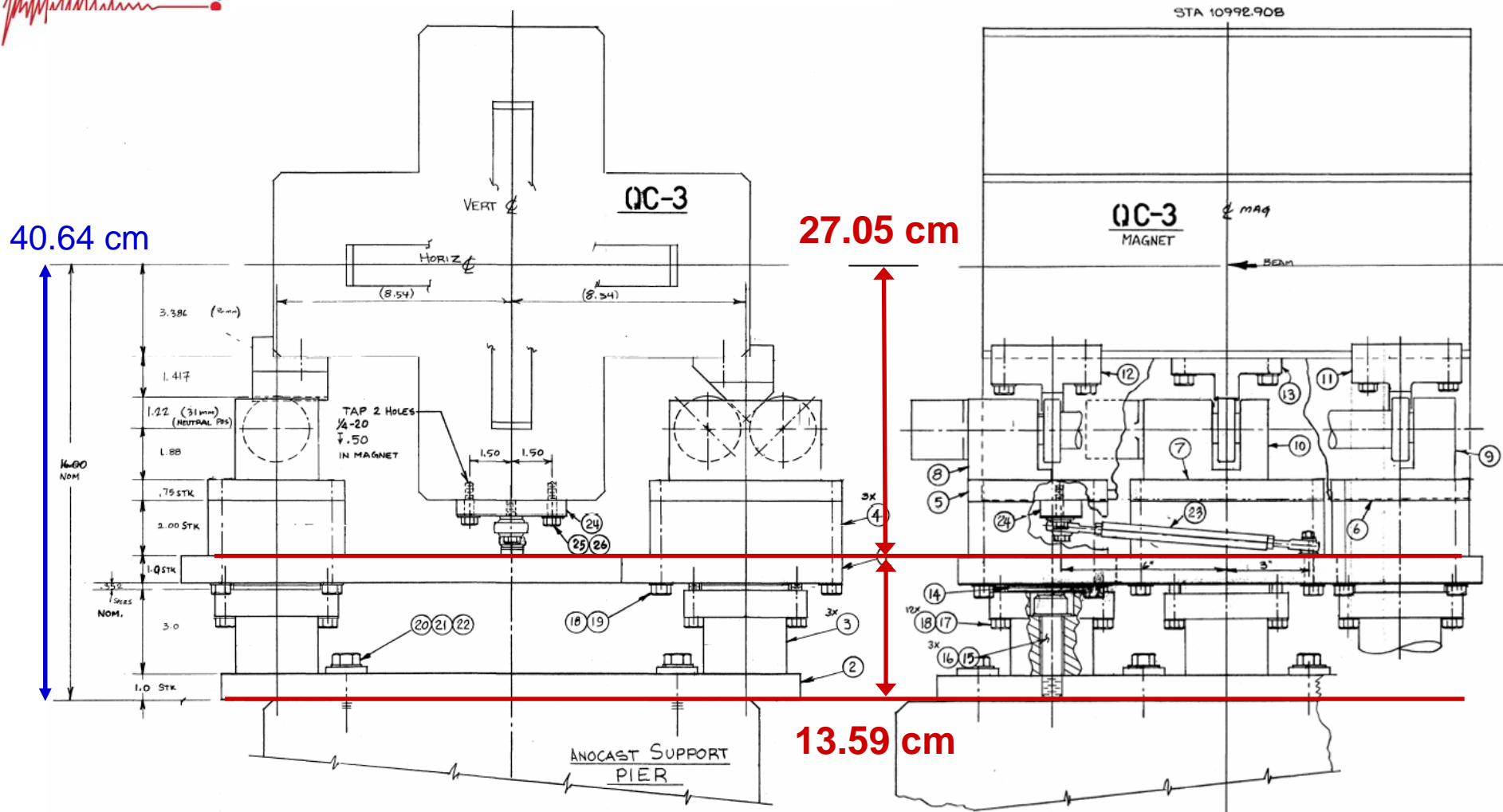
Beam axis too high
for ATF2



Re-design support to be
~8cm less tall



Candidate for the Final Doublet Quad.



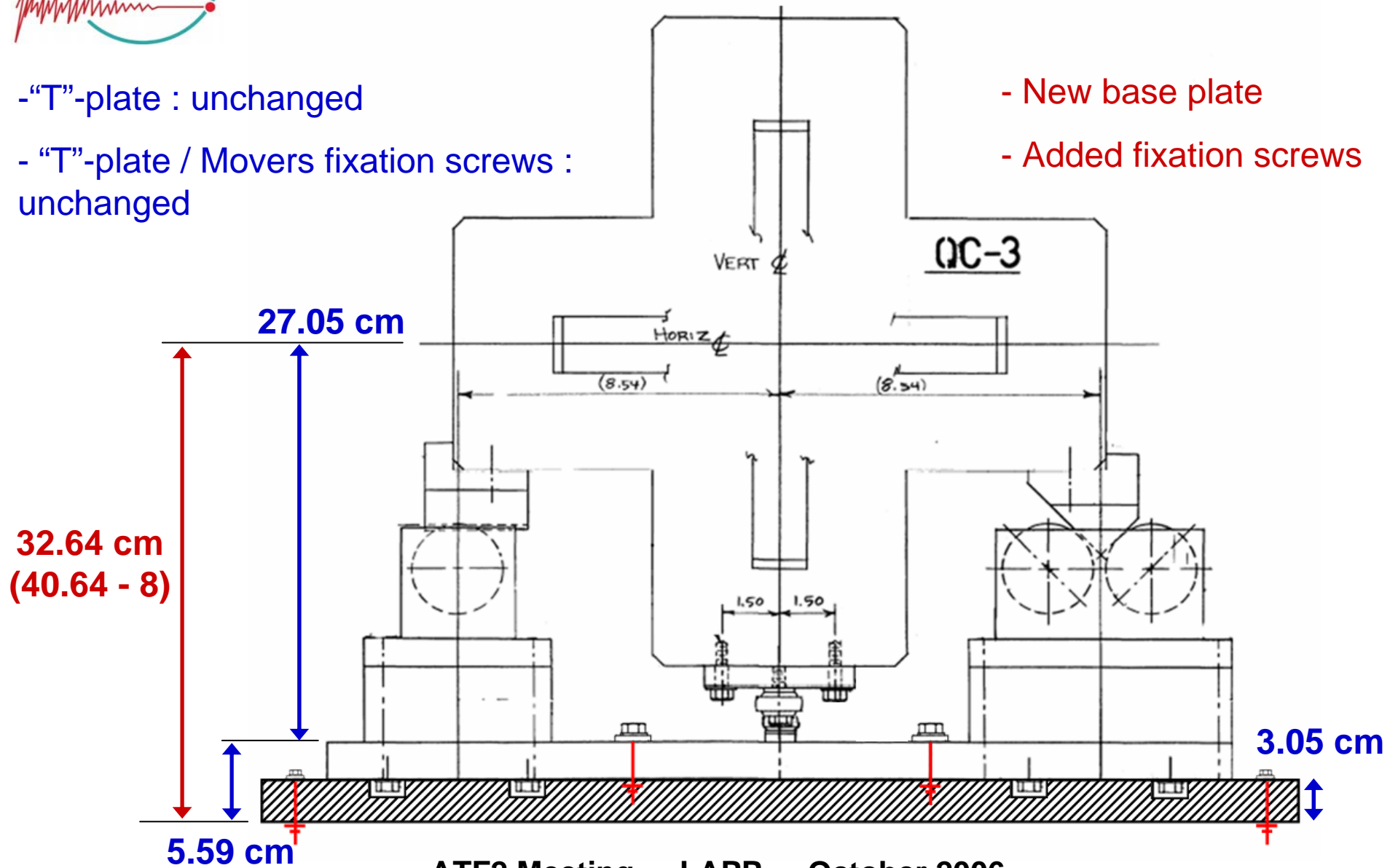
Easier way : Re-design **only** the support system

(keeping movers' geometry unchanged)

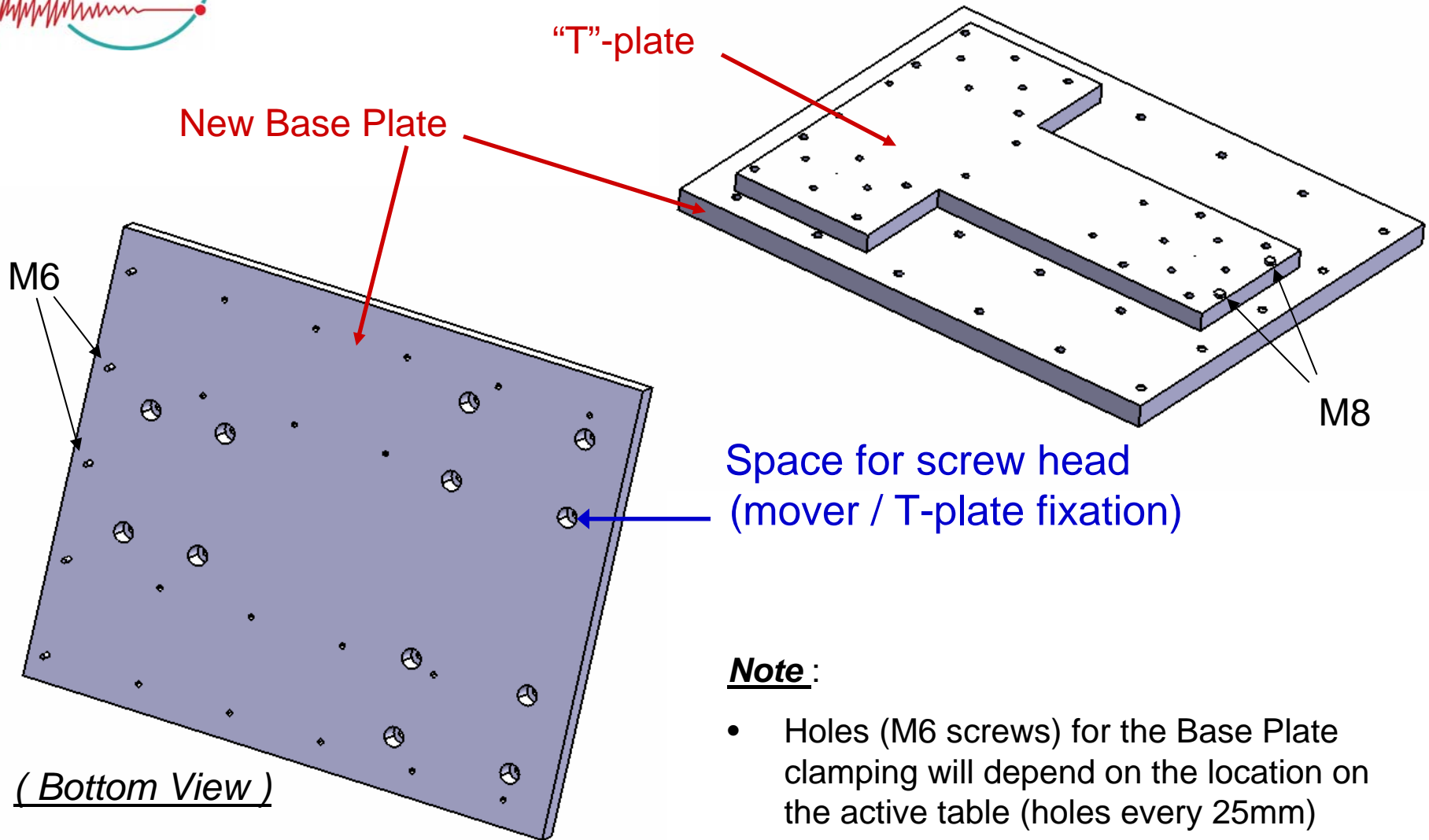
Support design proposition

- "T"-plate : unchanged
- "T"-plate / Movers fixation screws : unchanged

- New base plate
- Added fixation screws



Support design proposition



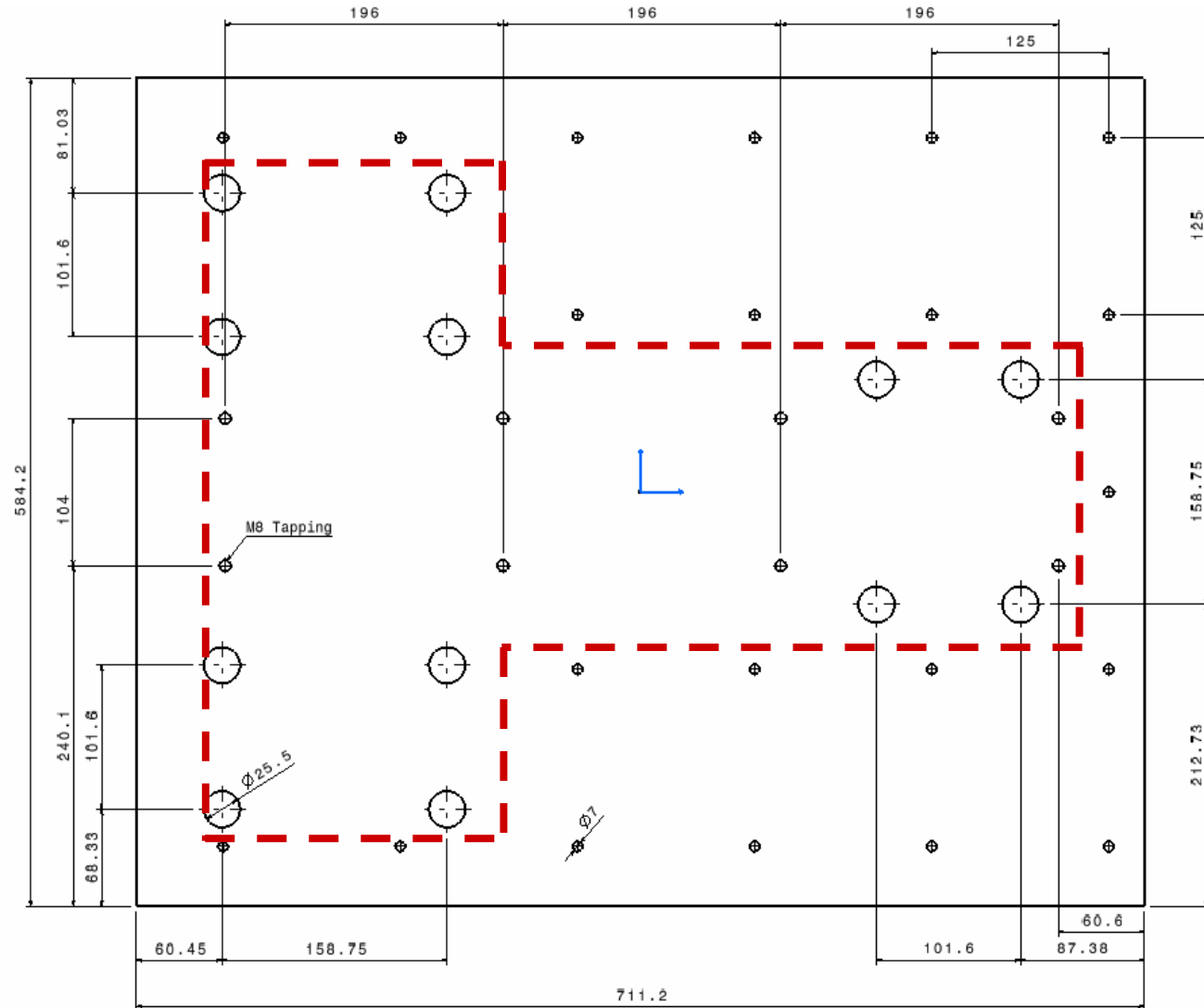


Support design proposition

Base Plate Drawing

(unit = mm)

Bottom View



Two possibilities

- Very accurate base plate thickness for desired magnet height.

- Use of spacer to adjust magnet height / inclination

