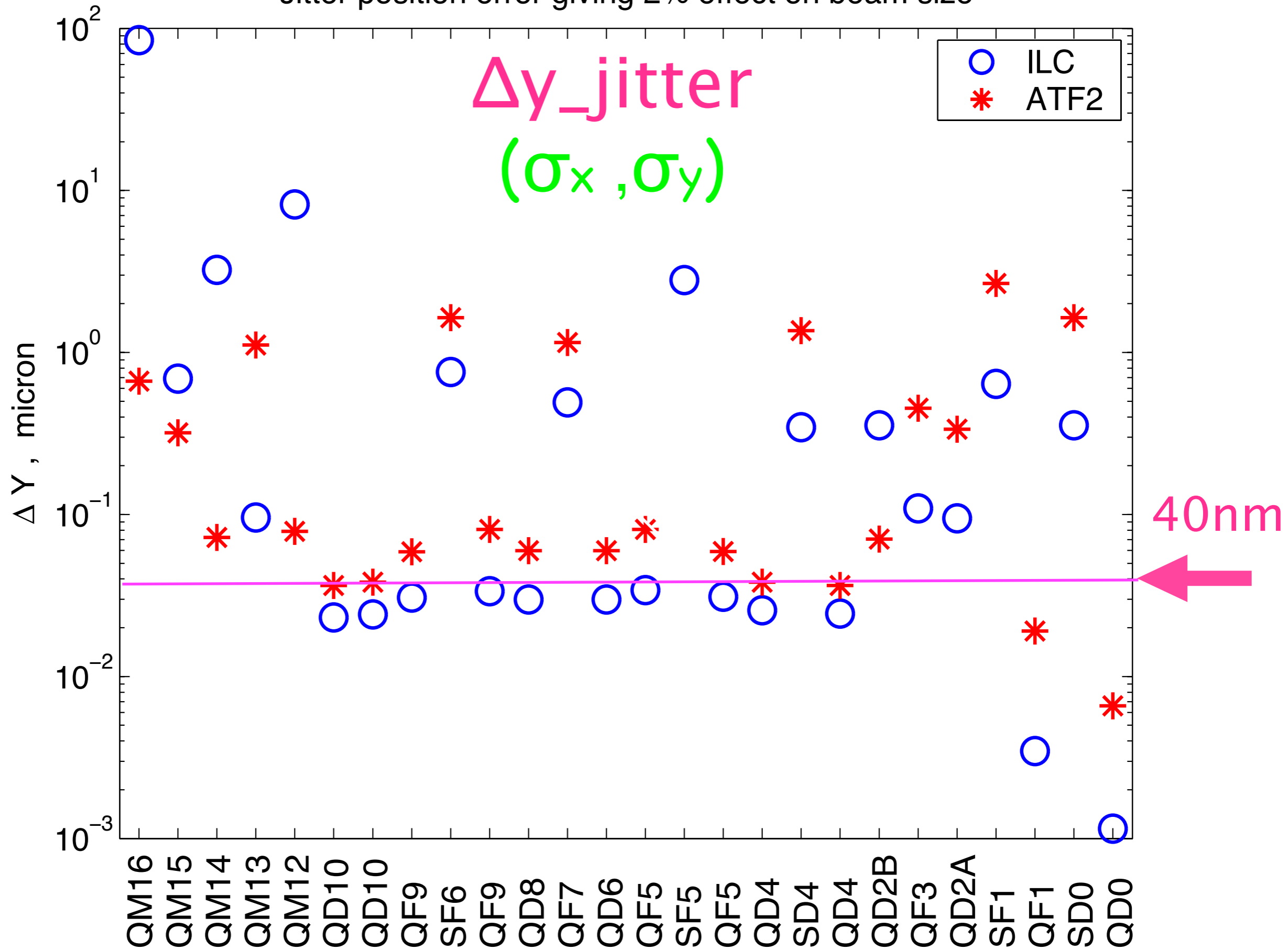
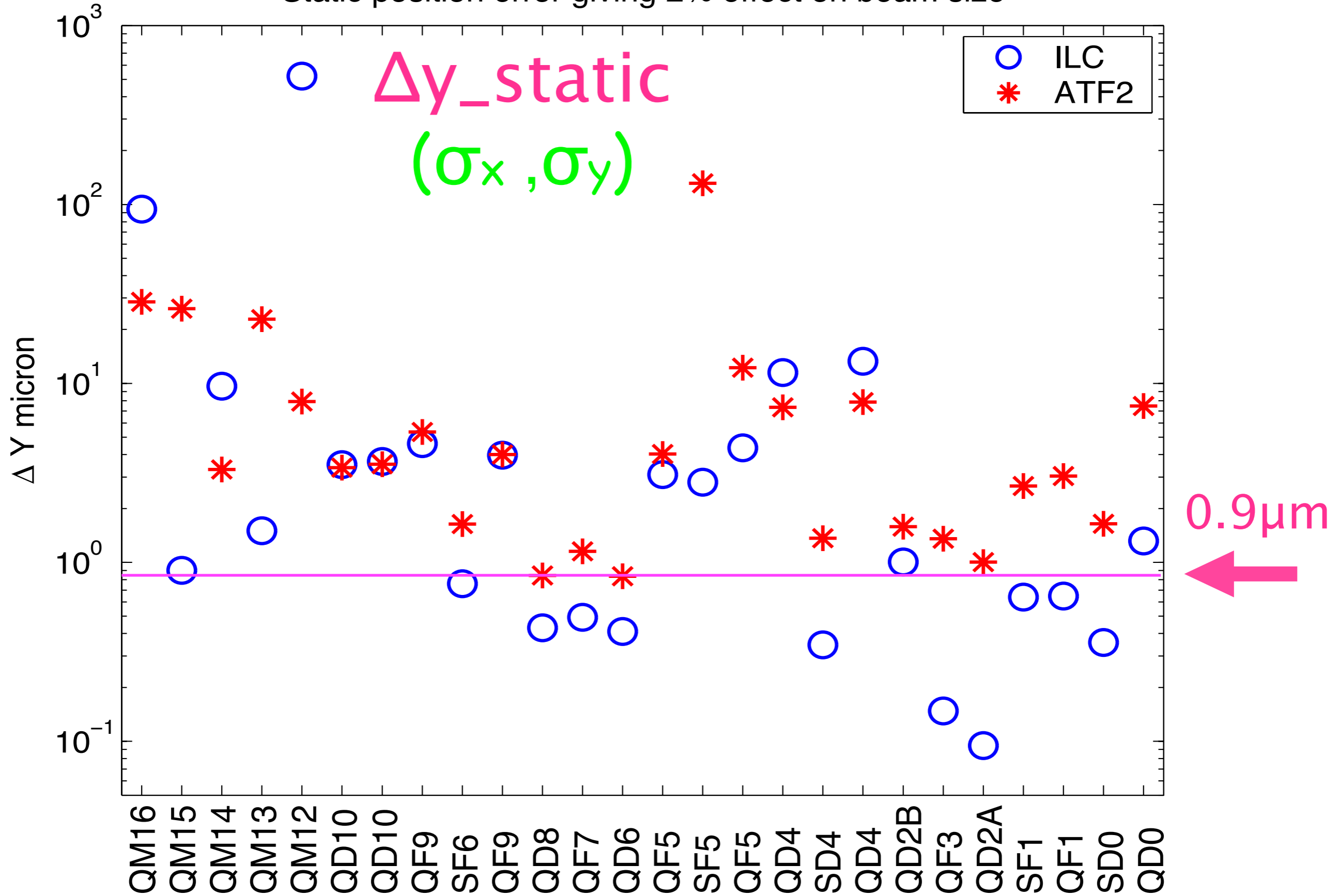


Jitter position error giving 2% effect on beam size

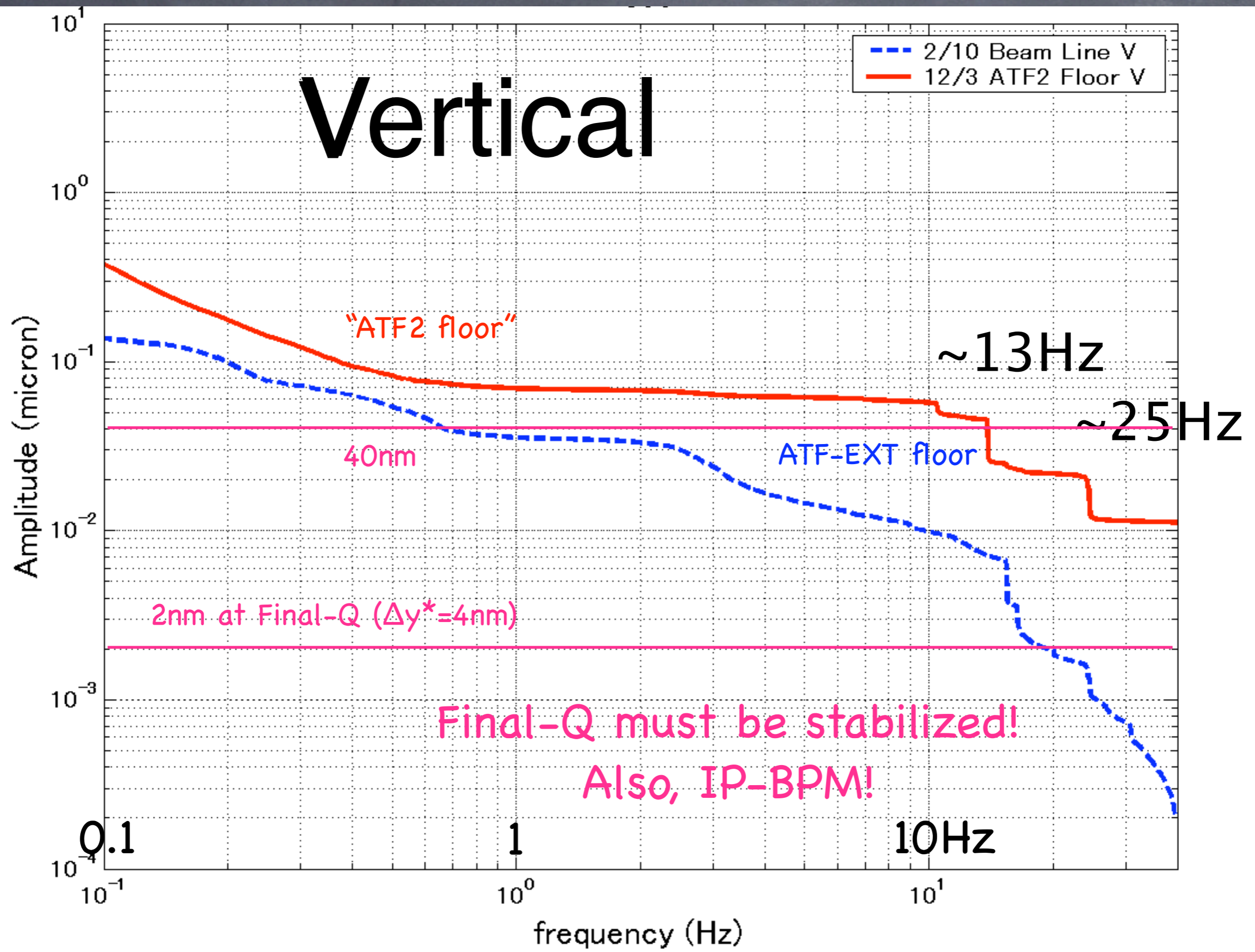


Static position error giving 2% effect on beam size

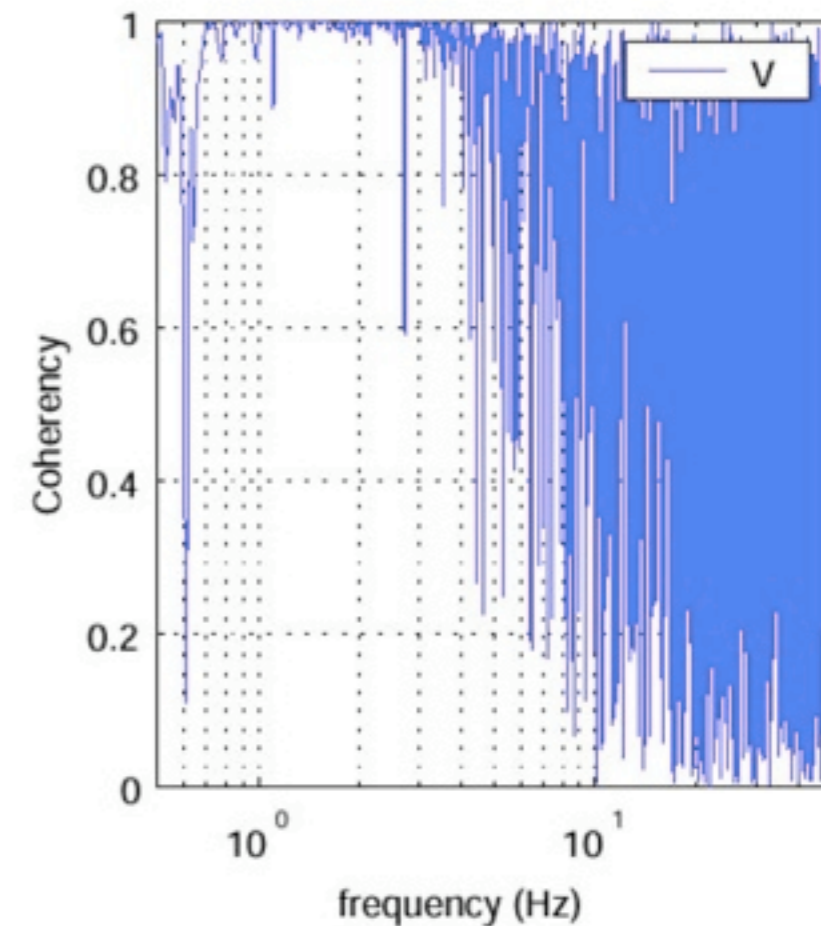
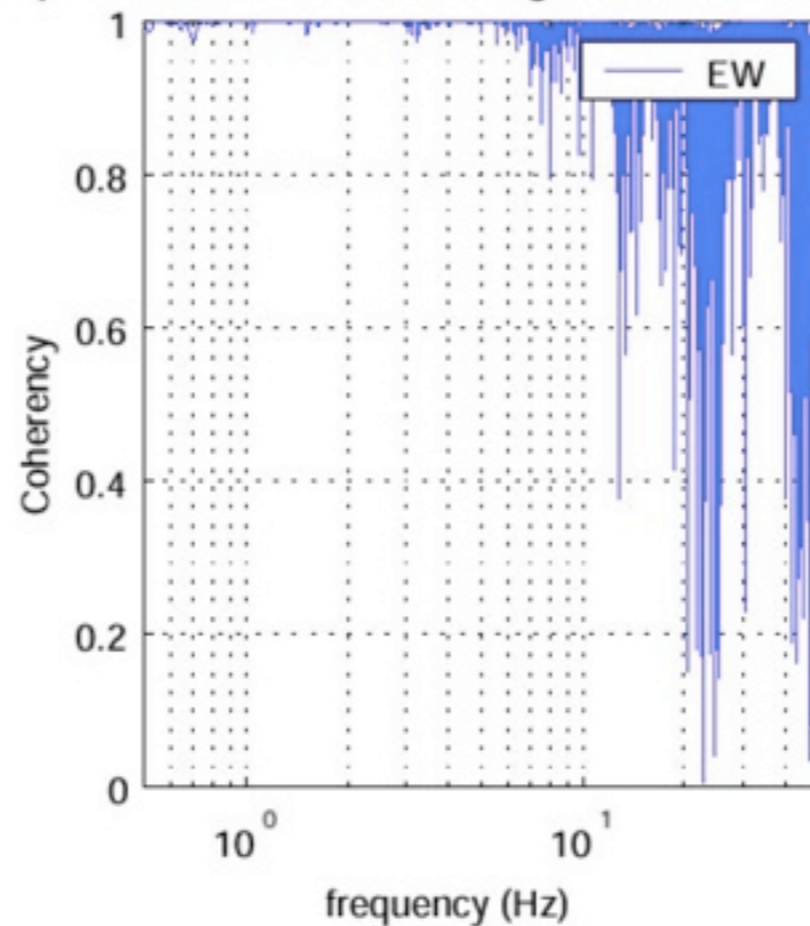
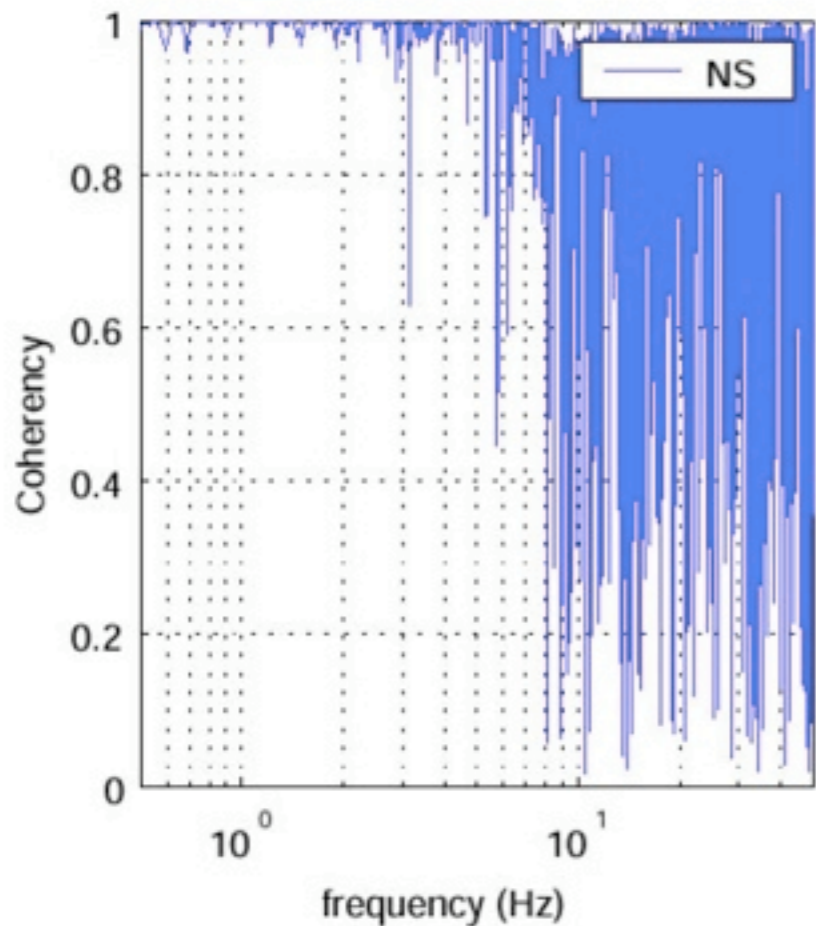


Amplitude of GM

Vertical

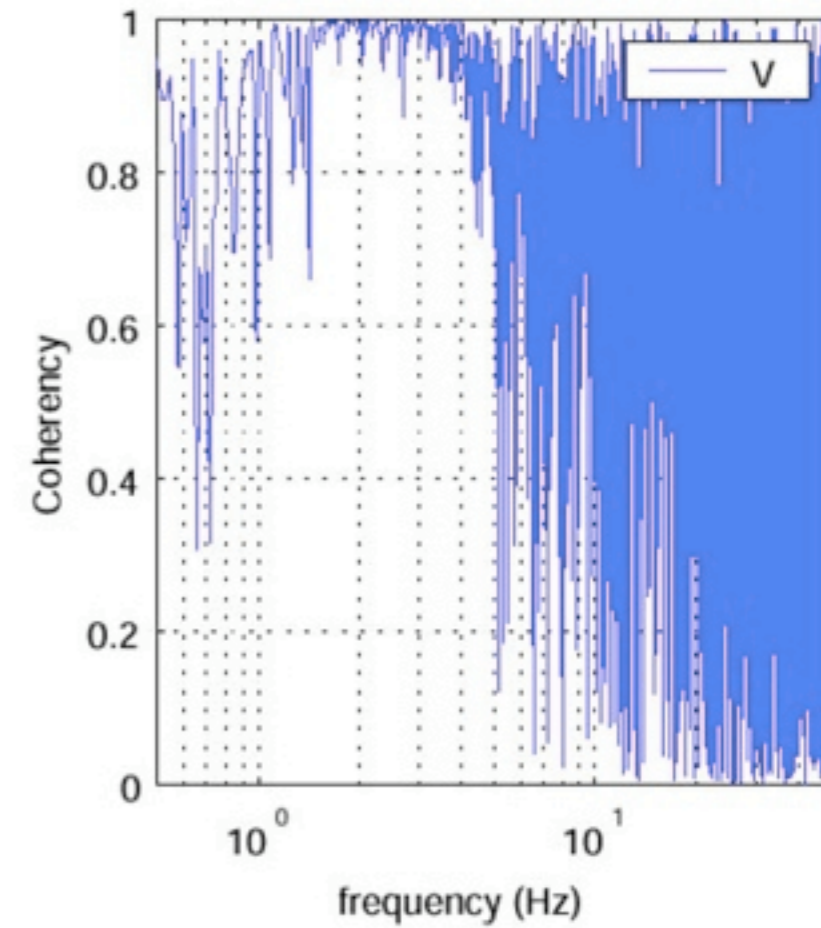
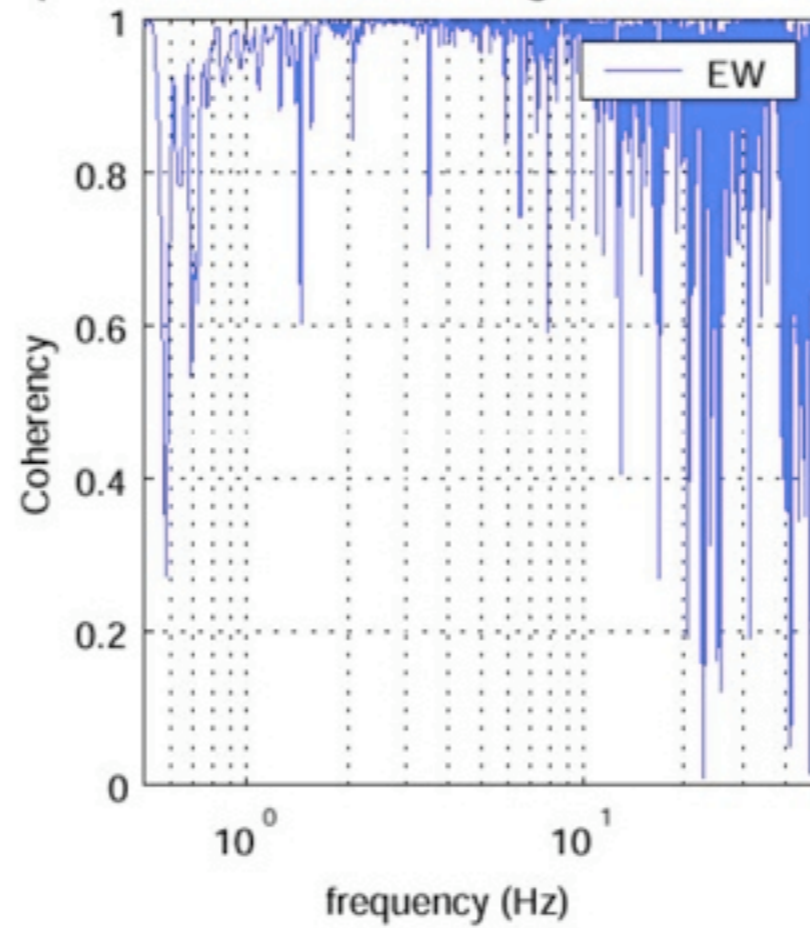
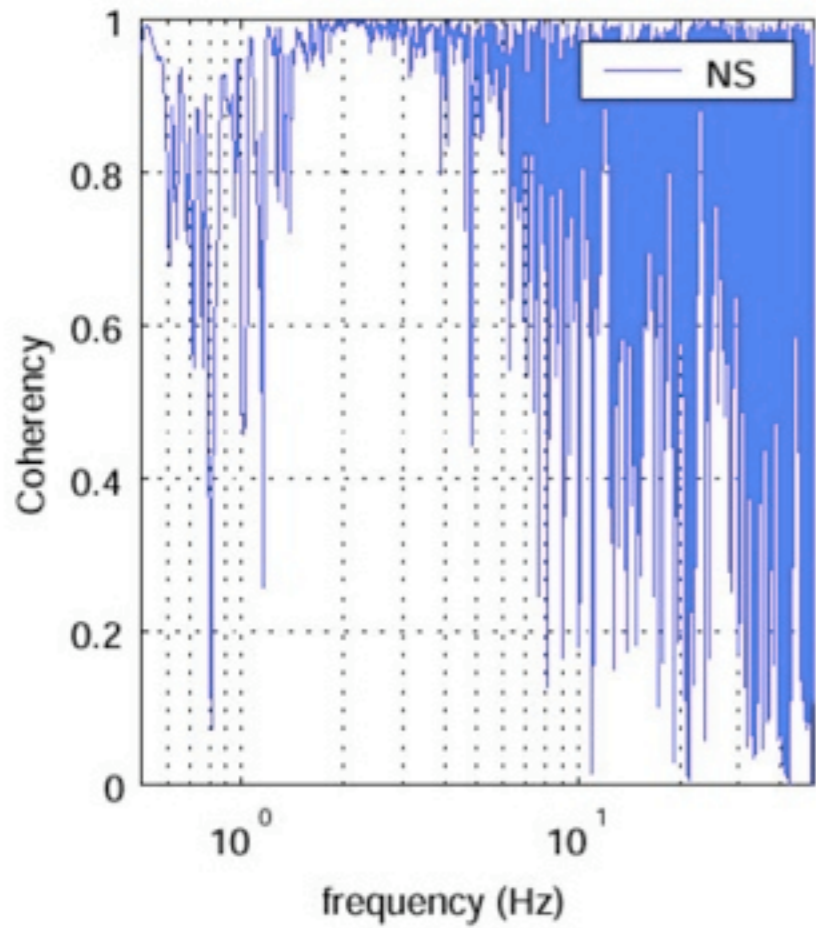


Sep. 01 07:00-10, Cooling Water: On.



Coherence for 5m at ATF

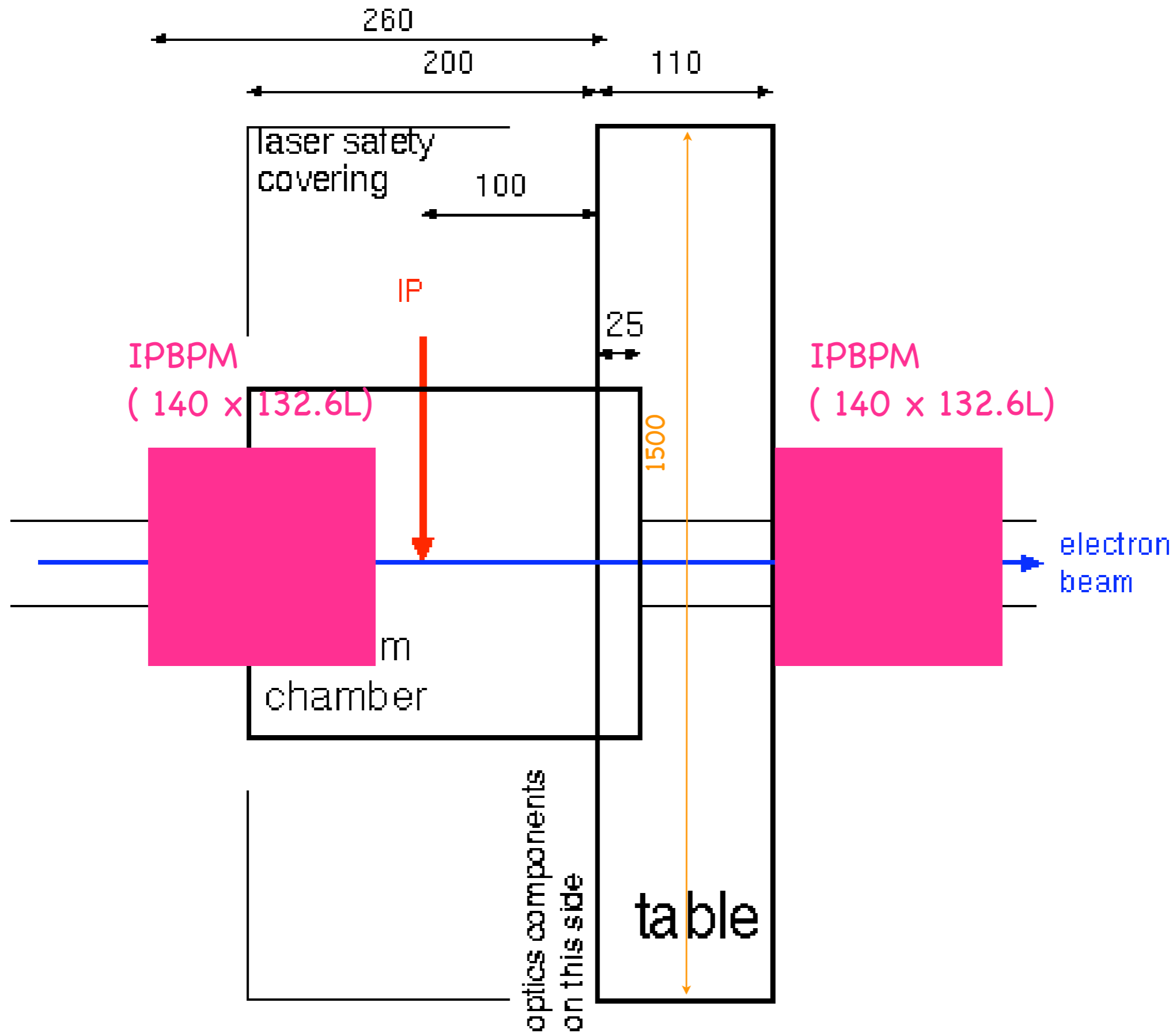
Sep. 01 08:00-10, Cooling Water: On.

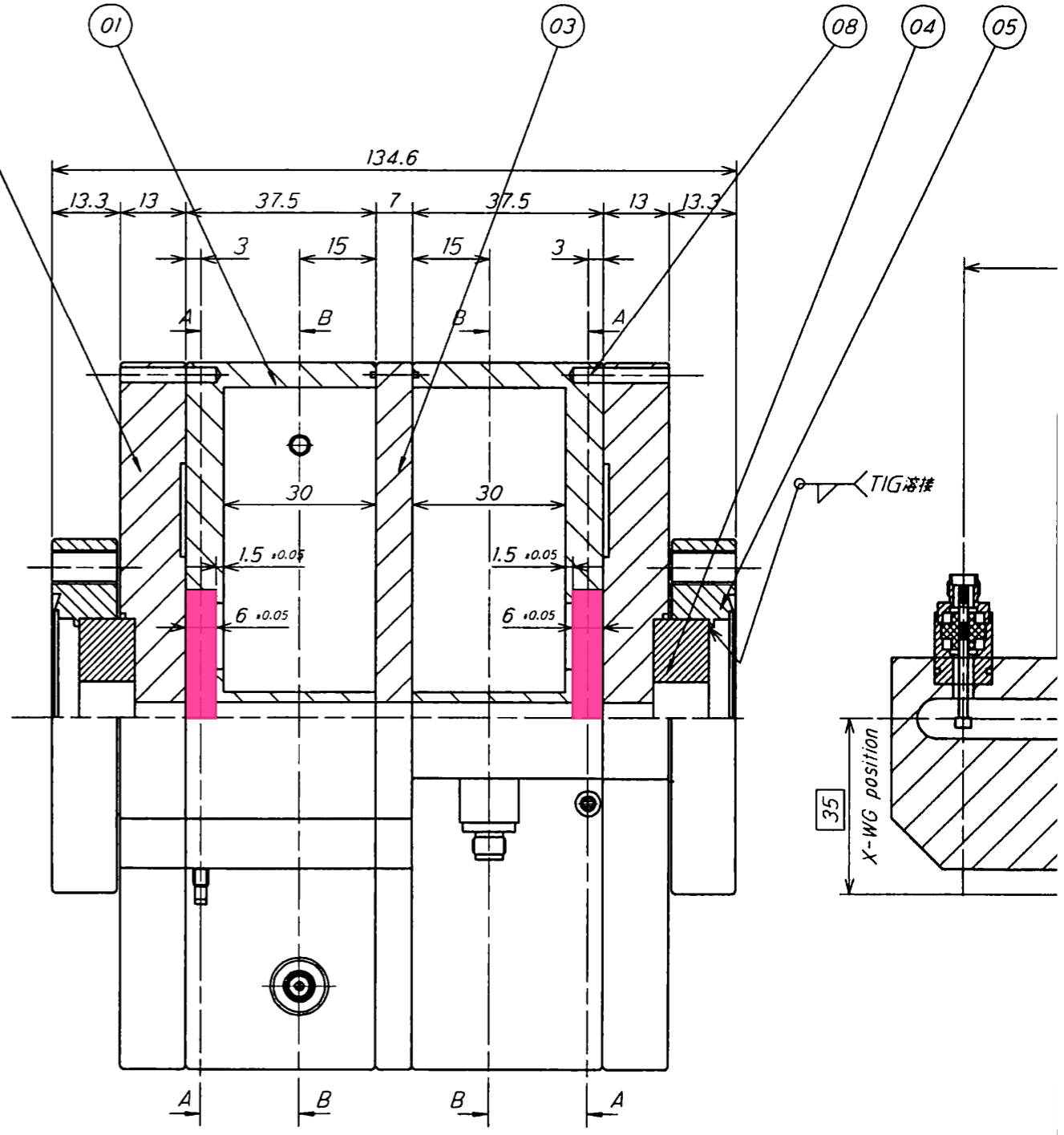
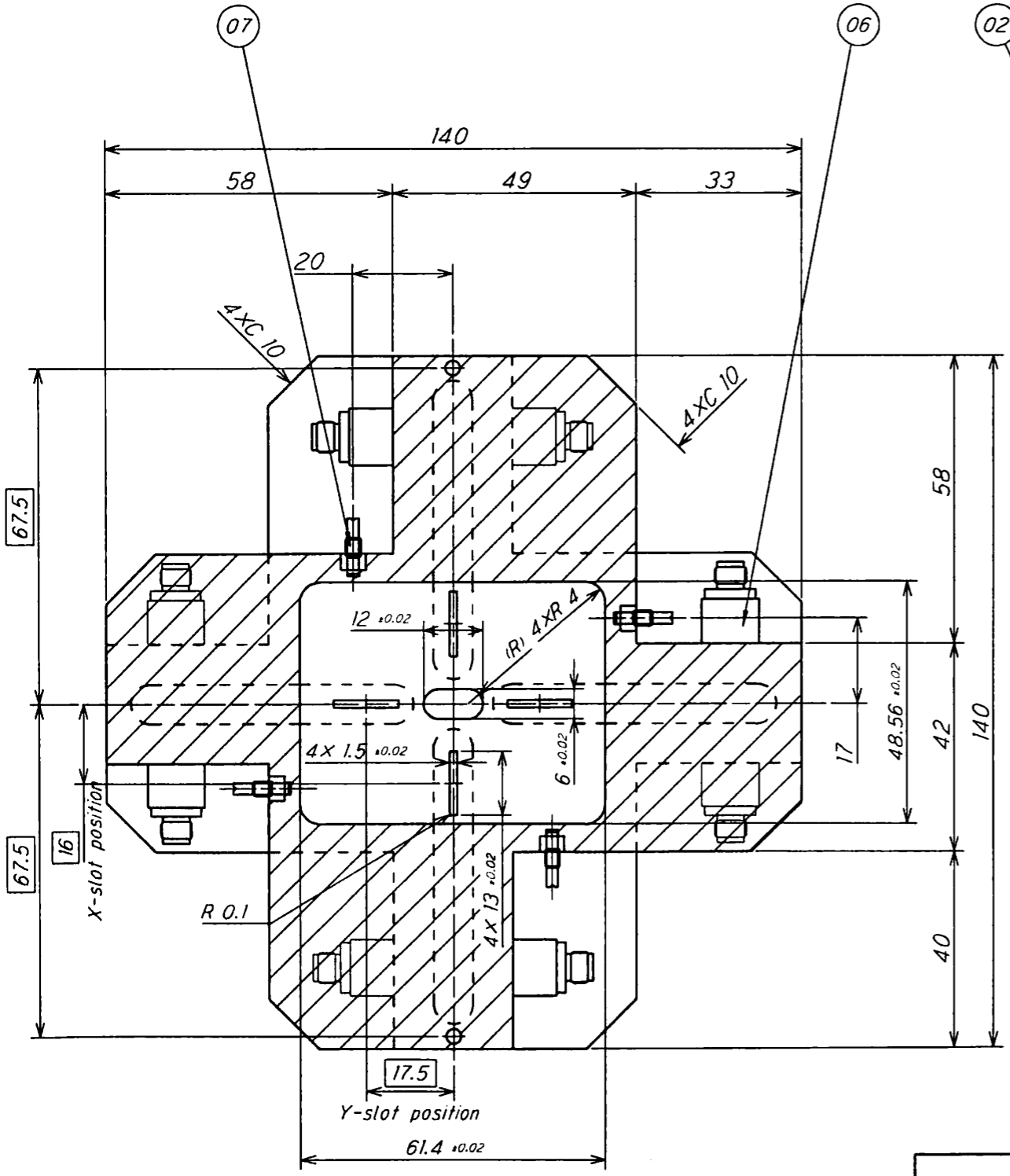


possible configurations

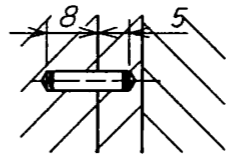
- ① CLIC-table and BSM with IP-BPMs
- ① CLIC-table and BSM with phase stabilization by low-power CW laser interferometer
- ① CLIC-table and BSM with phase stabilization by seismic monitor
- ① rigid supports for FD-system and BSM
- ① new CLIC table for compact BSM and FD-system

Best Solution (the most robust against GM)





参考図



Rev.2		Designed	Drawn	C
Rev.1			Takatori	
Date	2006/6/22			

High Energy Accelerator R
I-1 Oho, Tsukuba, Ibaragi, 3