

Supports for ATF2 Magnets

R. Sugahara
KEK

ATF2 Project Meeting
December 19, 2006

New magnets to be produced

Dipoles 3

--> Produced this fiscal year? (SLAC group)

Beam line Quadrupoles 27

24 magnets were produced last fiscal year, and
3+1(spare) are produced this fiscal year

FFP Quadrupoles 2

--> Reuse FFTB magnets (QC3 type)

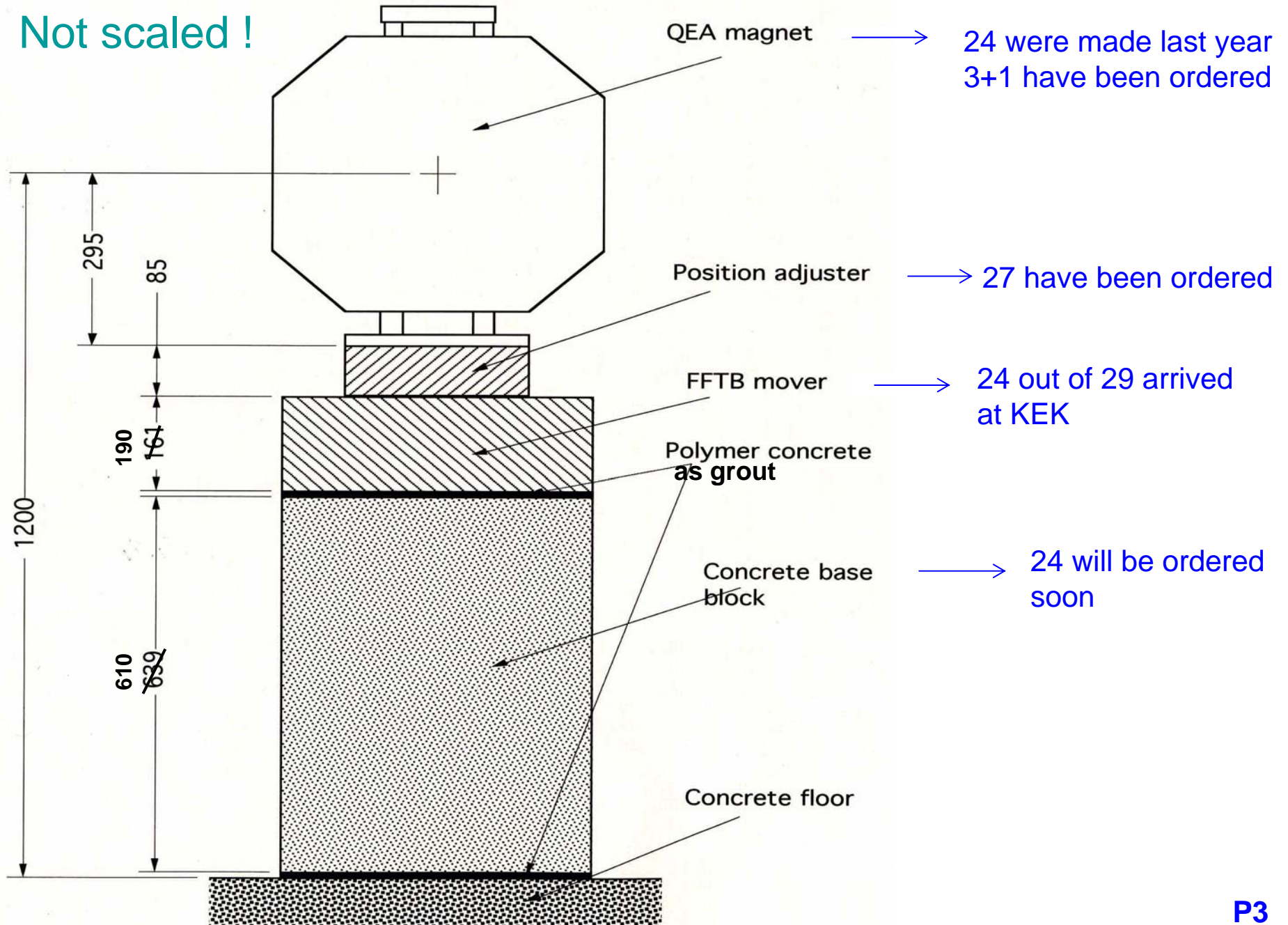
Sextupoles 5 (three for BL and two for FFP)

--> Produced this fiscal year? (SLAC group)

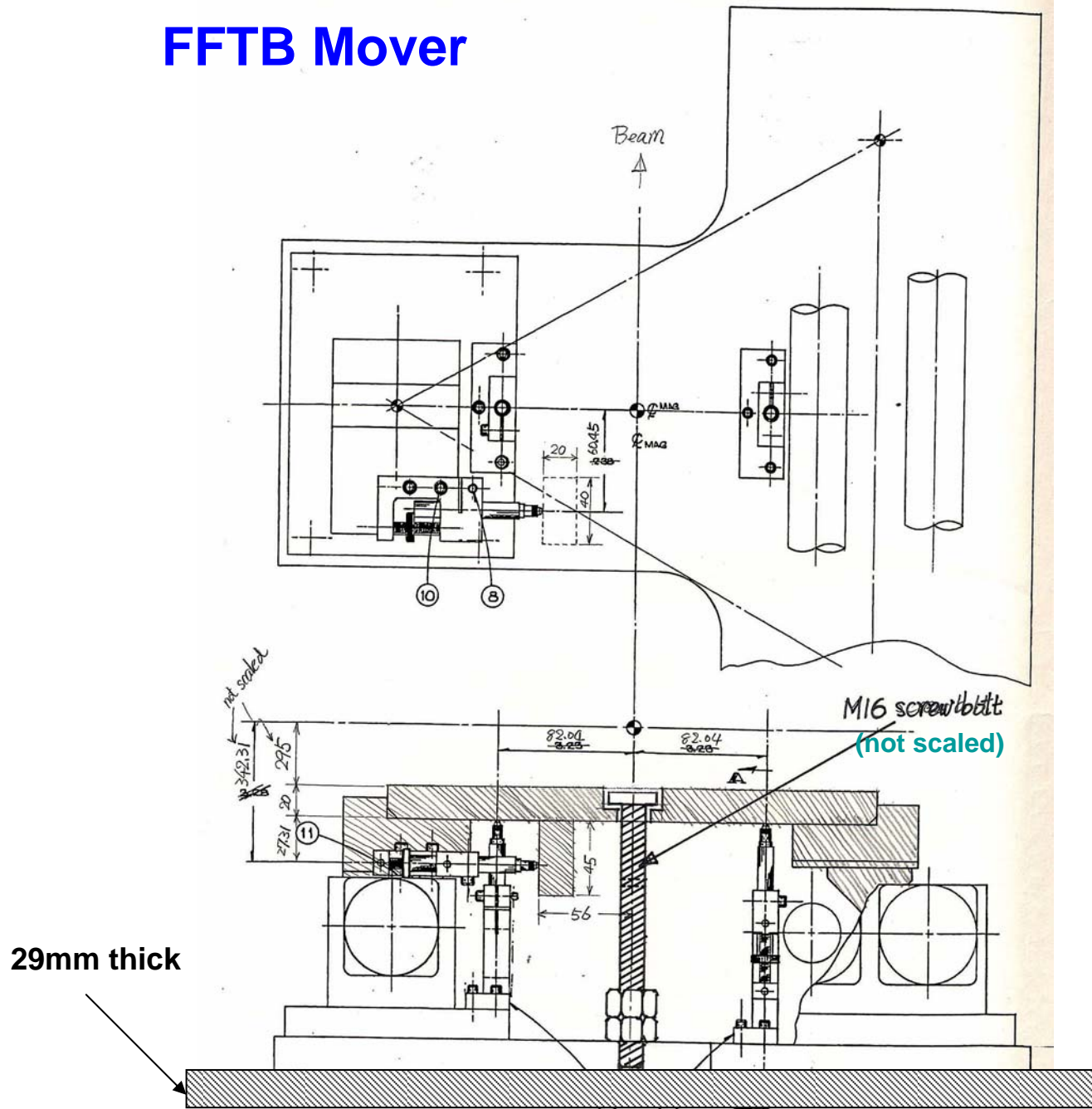
Octupoles ?

Steering magnets ?

Not scaled !

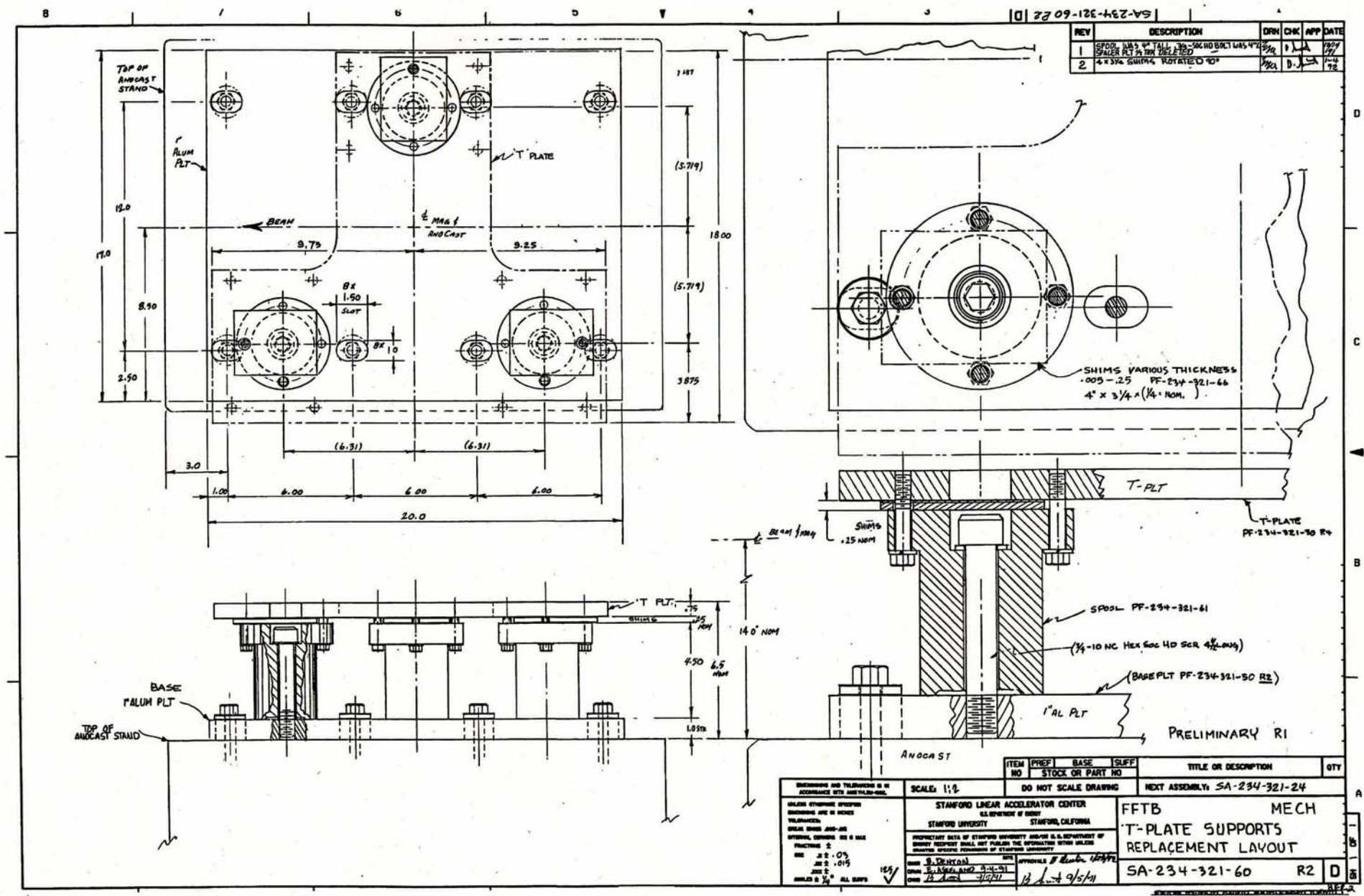


FFTB Mover



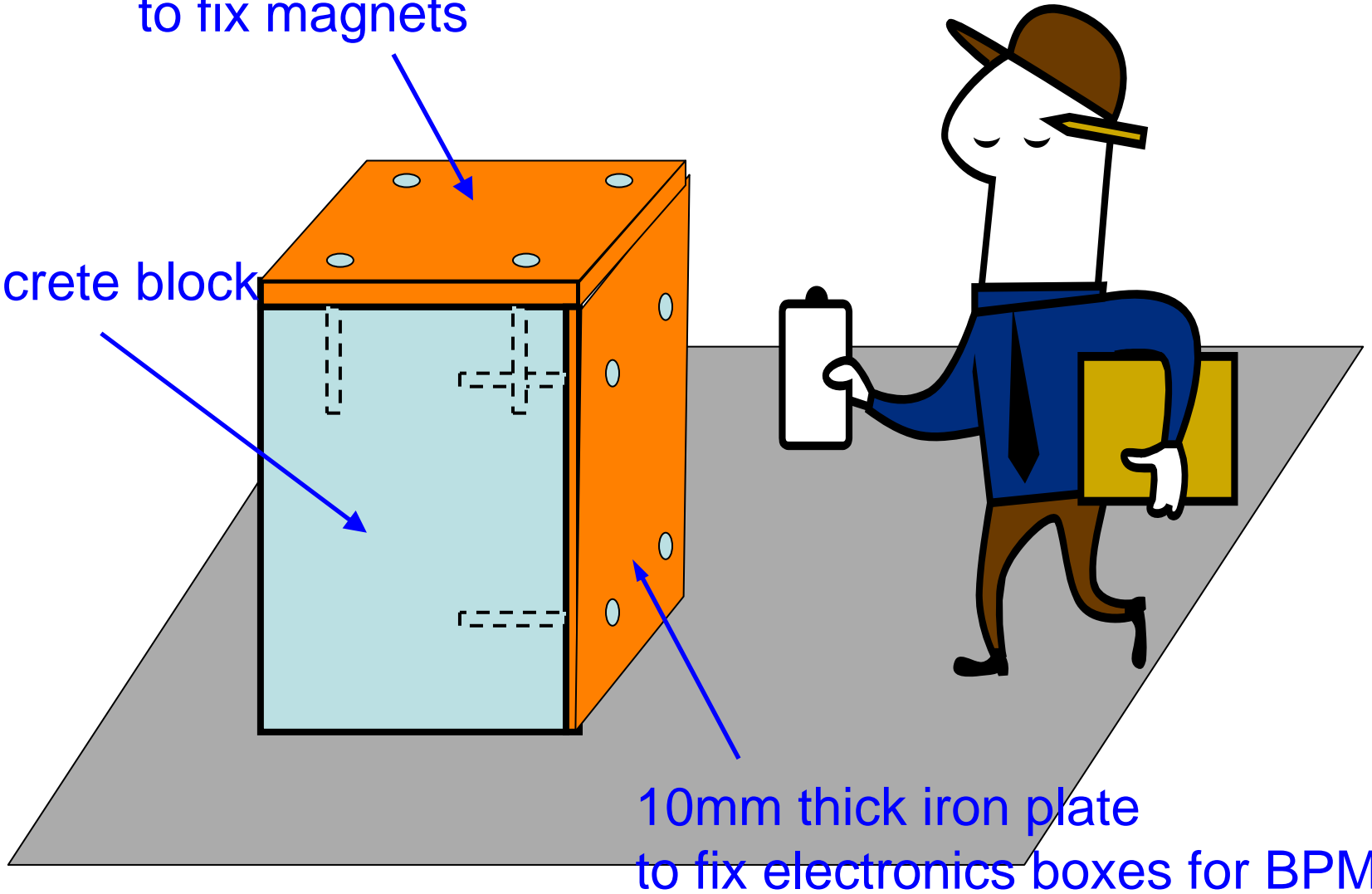
Bottom plate (T-plate) of FFTB mover

P5



30mm thick iron plate
to fix magnets

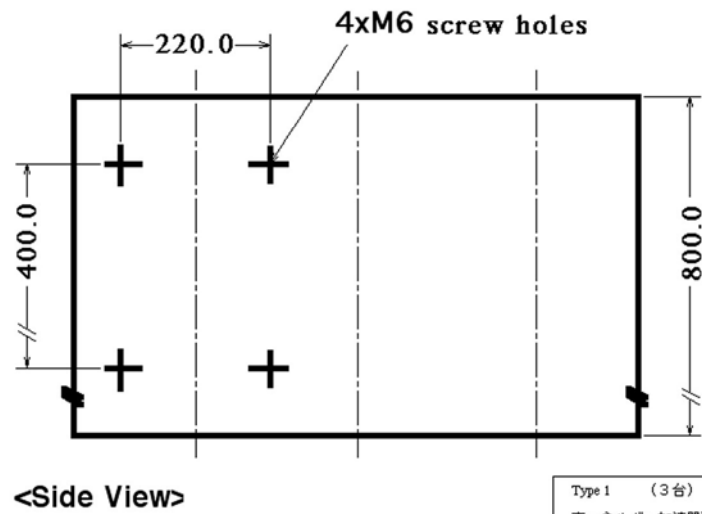
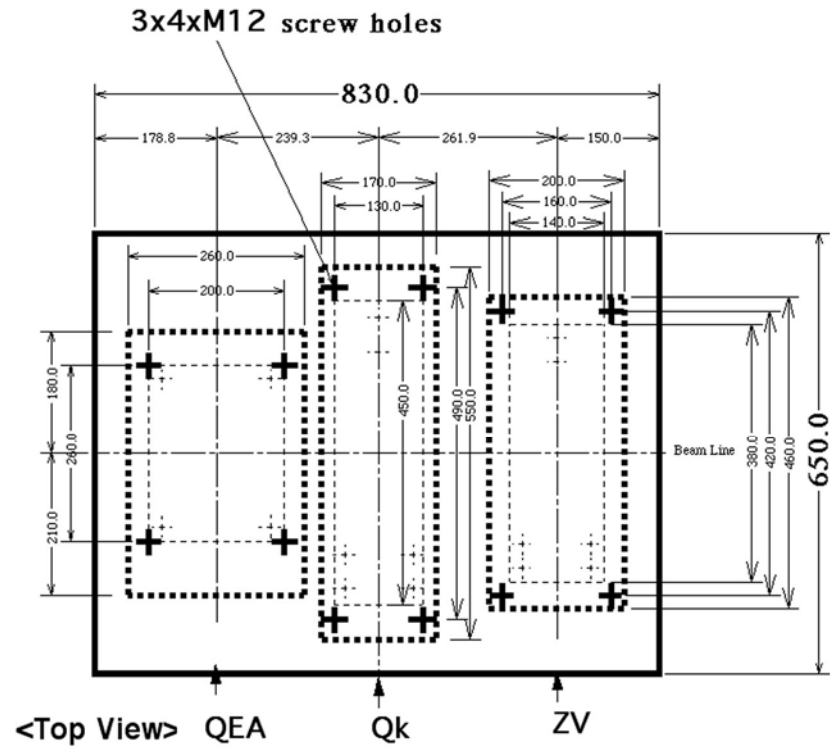
Concrete block



10mm thick iron plate
to fix electronics boxes for BPM

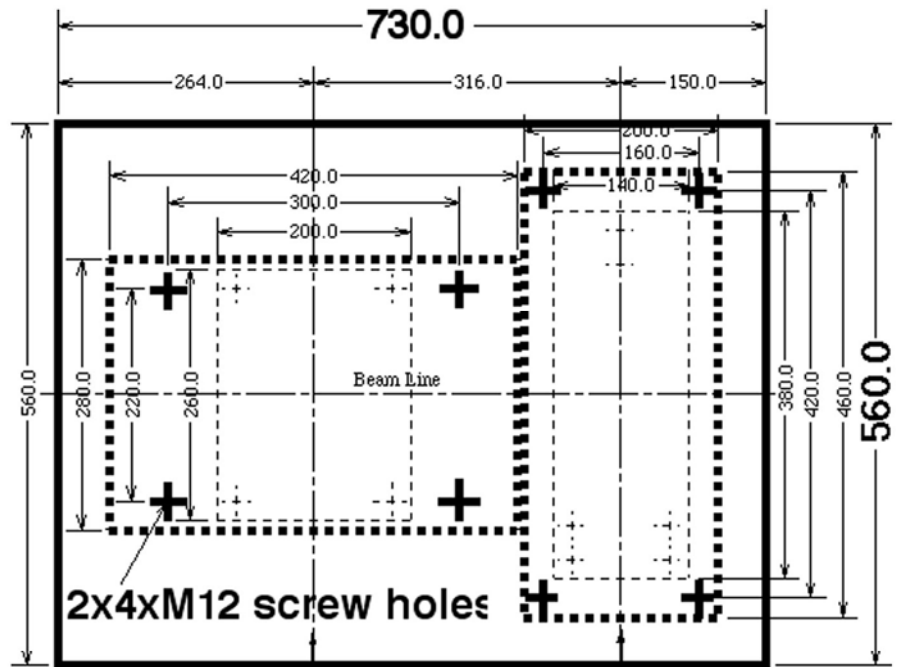
<<< - >>>

Type1 (3 blocks)

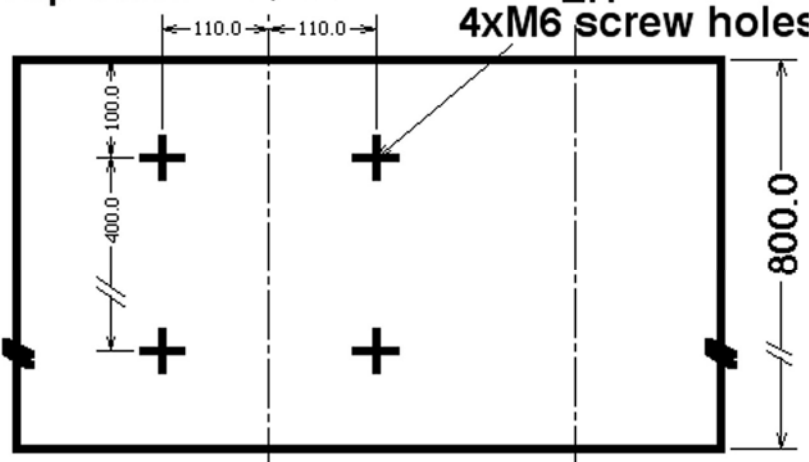


Type 1 (3台)
高エネルギー加速器研究機構
S = 1/5
菅原 2006.11.01

**Type 2A
(3 blocks)**



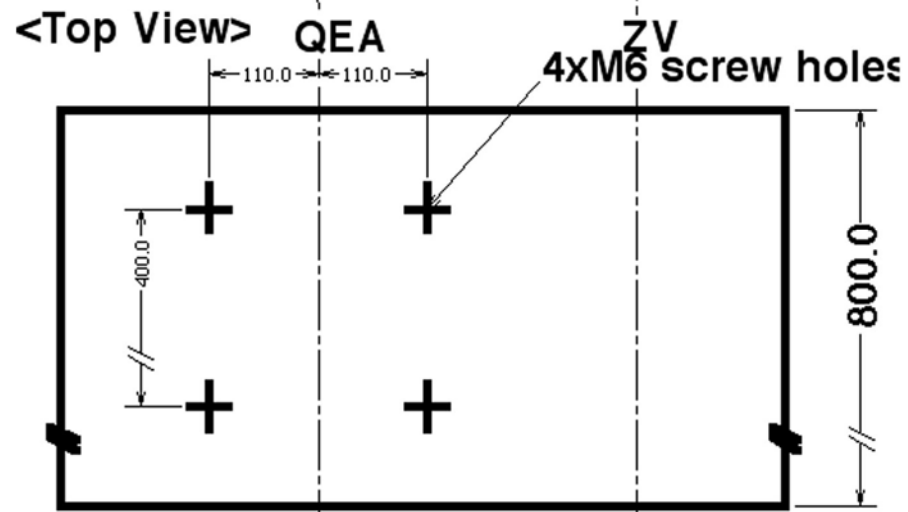
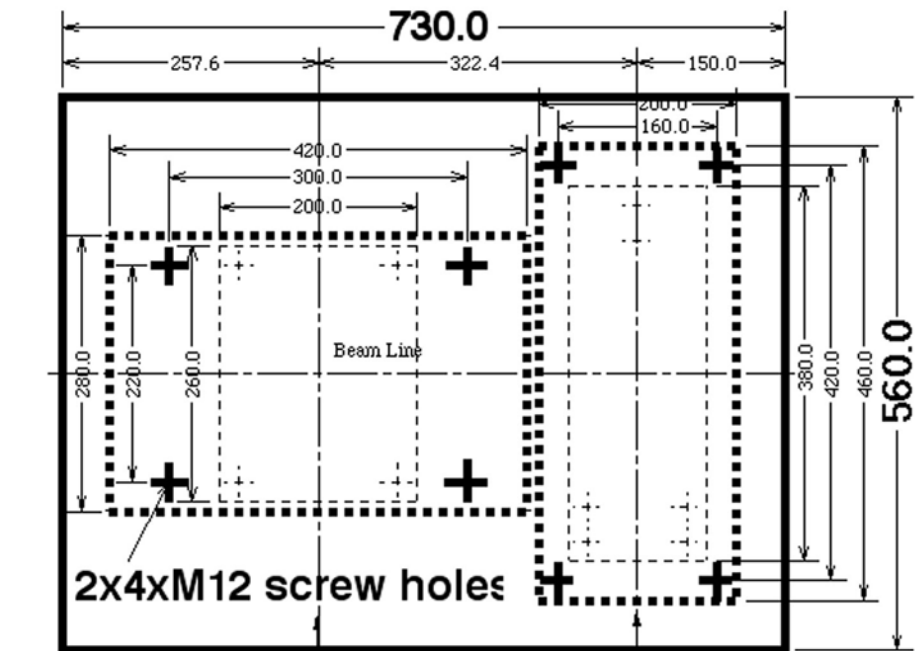
<Top View> QEA ZH
4xM6 screw holes



<Side View>

Type 2A (3台)
高エネルギー加速器研究機構
S = 1/5
菅原 2006.11.01

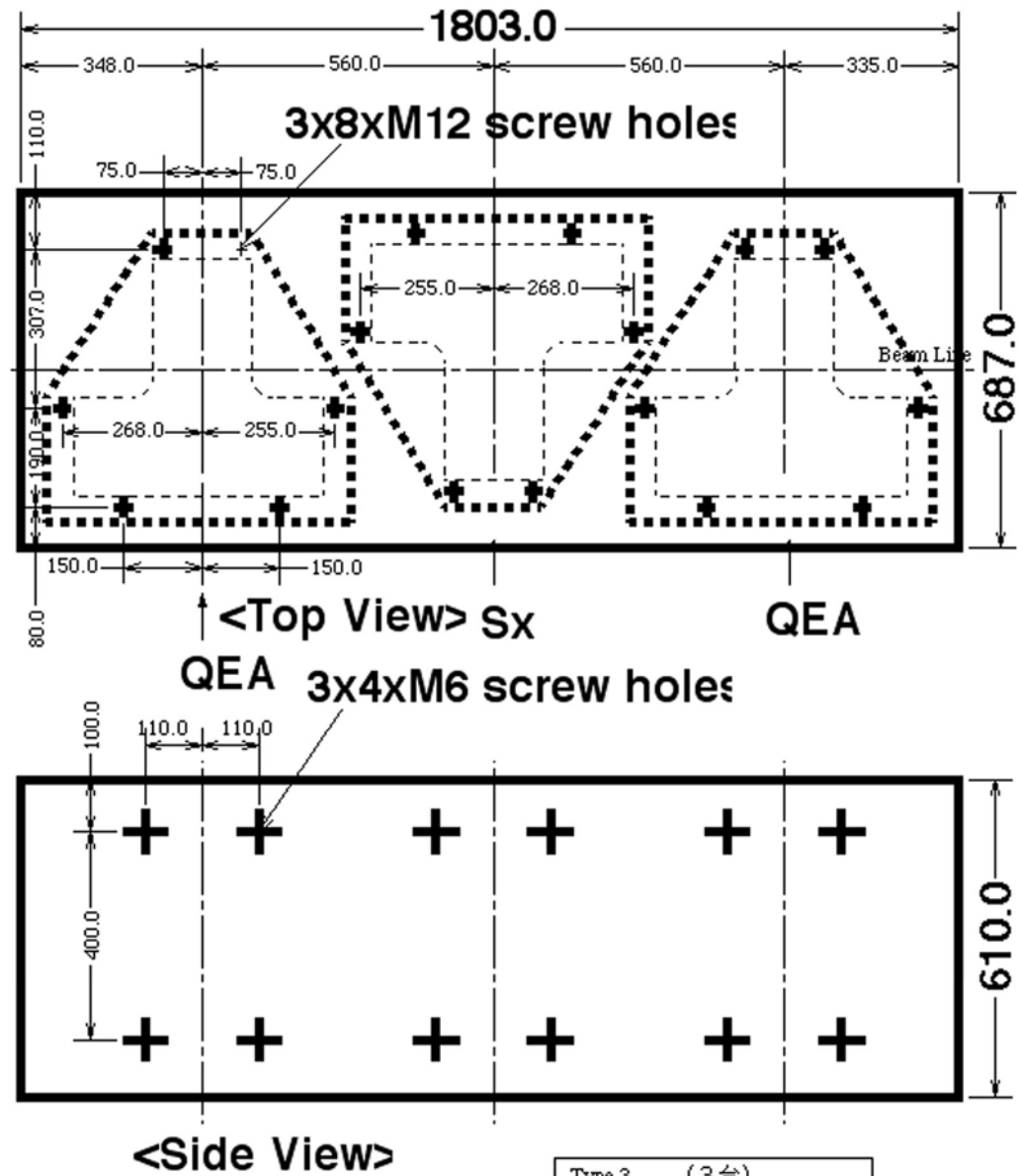
Type 2B (1 block)



<Side View>

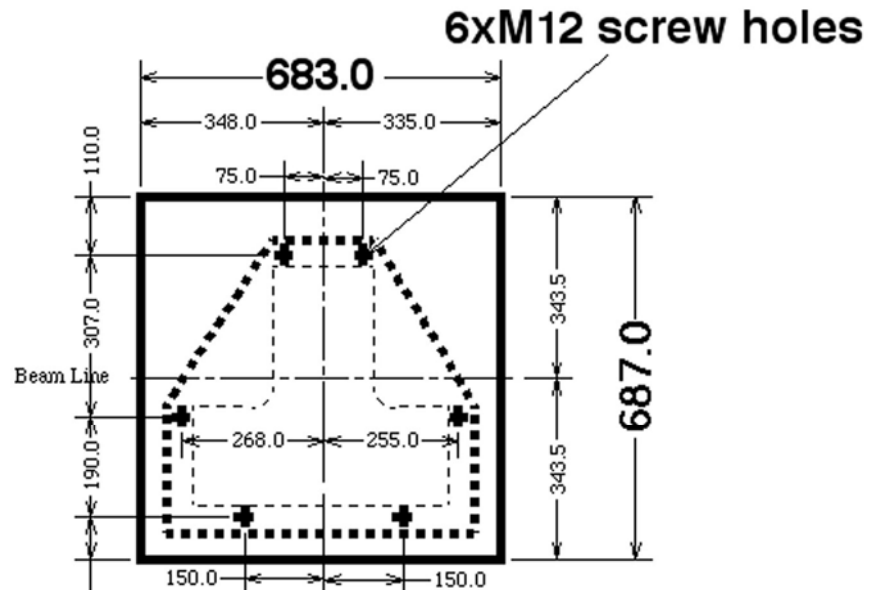
Type 2B (1台)
高エネルギー加速器研究機構
S = 1/5
菅原 2006.11.01

**Type 3
(3 blocks)**

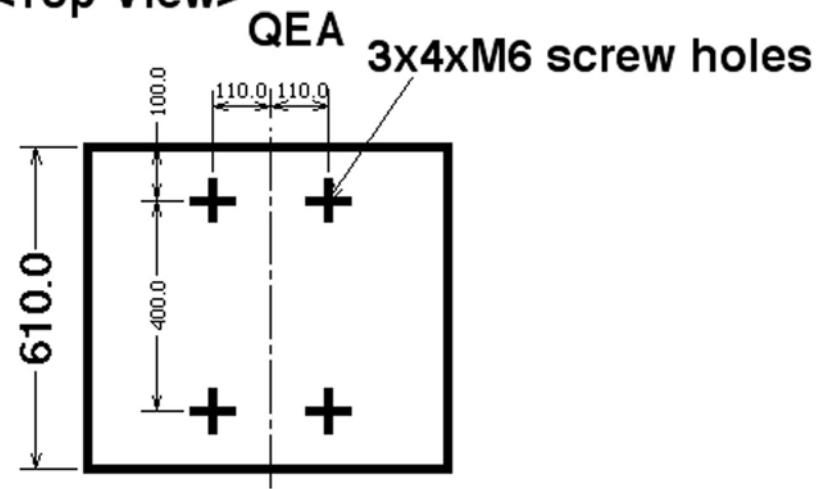


Type 3 (3台)
 高エネルギー加速器研究機構
 S = 1/10
 菅原 2006.11.01

**Type 4
(14 blocks)**



<Top View>



<Side View>

Type 4	(14台)
高エネルギー加速器研究機構	
S = 1/10	
菅原	2006.11.01

<<< - >>>

FFTB Mover

Need permission of SLAC group to make 16mm dia. holes at the center of the T-plate

29mm thick

